


# PRODUCT SHEET

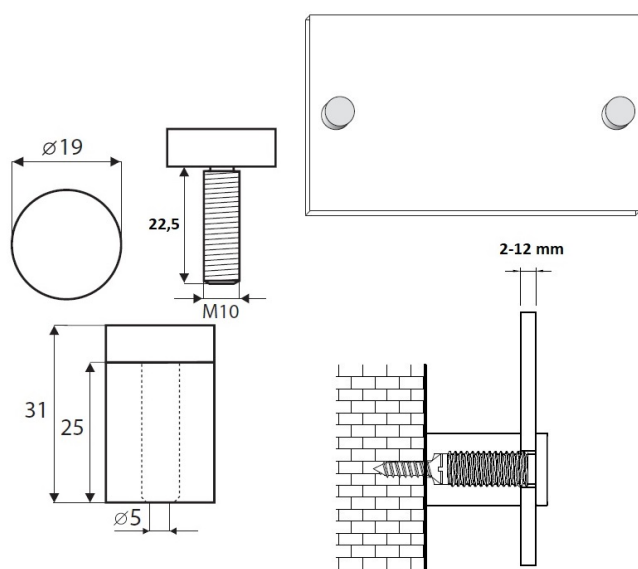
## Description:

Sign Board Screw  $\varnothing 19 \times 25$  mm, Brass, CPL, W/2 Transparent Washers

## Item number:

22.11.050-0

Units	Box	Carton	HS Code	Barcode
Pcs.	60	240	8302490099	 5704866083997



## SISO A/S

Mileparken 11  
DK-2740 Skovlunde  
Denmark  
VAT: DK 24786013

Phone +45 45 830 900

[www.siso.dk](http://www.siso.dk)  
[siso@siso.dk](mailto:siso@siso.dk)

Danske Bank  
Nytorv Branch  
Copenhagen  
SWIFT: DABADKKK

Account no.  
4180 3112 112936  
IBAN Account  
DK7230003112112936